

SERIE LIMITEX



EXPLOSION PROOF ROTARY LIMIT SWITCH



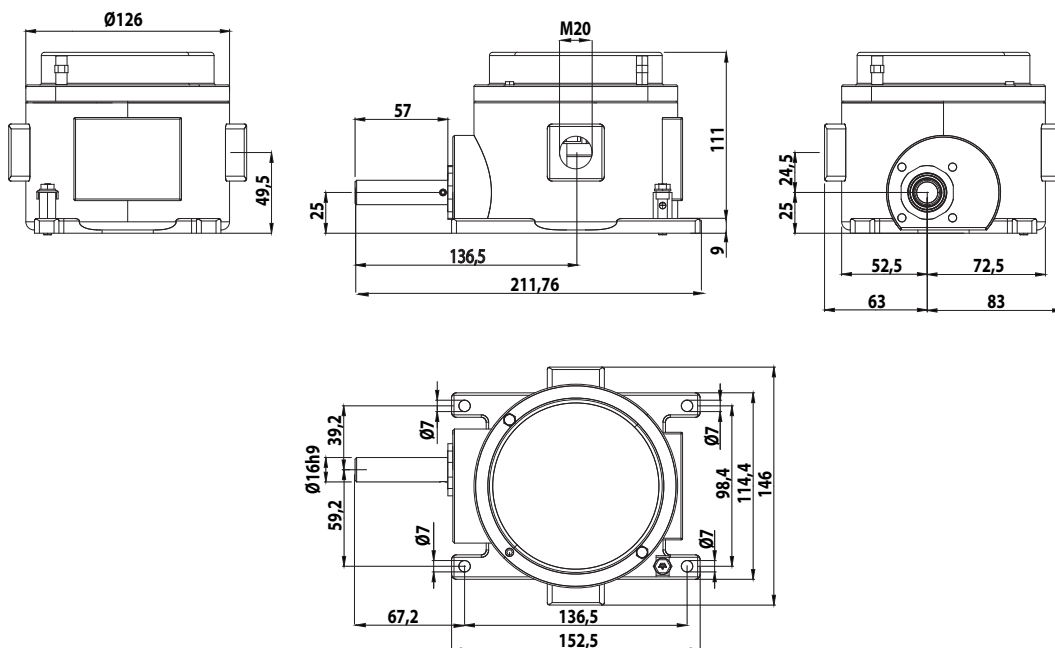
GENERAL FEATURES

- Operational ambient temperature: $-40^{\circ}\text{C}/+60^{\circ}\text{C}$
- Protection degree: IP66
- Maximum rotation speed: 800 rev./min.
- Cable entry: Nr. 2 M20x1.5 / M25x1.5 / 1/2 NPT
- Revolution ratios rangings: from 1:15 to 1:1500

MATERIALS

- Case: cast iron G20
- Transmission shafts: stainless steel AISI 316
- Gear driving shafts: stainless steel AISI 316

OVERALL DIMENSIONS (MM)*



* Compatible with rotary limit switches available on the market

STANDARDS - MARKINGS - HOMOLOGATIONS

CERTIFICATIONS	ATEX: certificate INERIS 13ATEX0020X	
	IECEX: certificate IECEX INE 13.0051X	
CONFORMITY TO ATEX STANDARDS	EN 60079-0:2009	Explosive atmospheres - Equipment - General requirements
	EN 60079-1:2007	Explosive atmospheres - Equipment protection by flameproof enclosures 'd'
	EN 60079-31:2009	Explosive atmospheres - Equipment dust ignition protection by enclosure "t"
CONFORMITY TO IECEX STANDARDS	IEC 60079-0:2011	Explosive atmospheres - Equipment - General requirements
	IEC 60079-1:2007-04	Explosive atmospheres - Equipment protection by flameproof enclosures 'd'
	IEC 60079-31:2008	Explosive atmospheres - Equipment dust ignition protection by enclosure "t"
CERTIFICATONS FOR GROUPS I, IIA, IIB AND IIC	MINING: I M2 Ex d I Mb (ATEX) Ex d I Mb (IECEX)	
	GAS: Zone 1 and 2 II2G Ex d IIB T6 Gb or Ex d IIC T6 Gb (ATEX) Ex d IIB T6 or Ex d IIC T6 Gb (IECEX)	
	DUST: Zone 21 and 22 II2D Ex tb IIIC T85°C Db IP66 (ATEX) Ex tb IIC T85°C Db IP66 (IECEX)	
	GAS & DUST: II2GD Ex d IIB or IIC T6 Gb Ex tb IIC T85°C Db IP66	
CE DIRECTIVES	2006/95/CE	Low Voltage Directive
	2006/42/CE	Machinery Directive
CONFORMITY TO CE STANDARDS	EN 60204-1	Safety of machinery - Electrical equipment of machines
	EN 60204-32	Safety of machinery - Electrical equipment of machines - Requirements for hoisting machines
	EN 60947-1	Low-voltage switchgear and controlgear
	EN 60947-5-1	Low-voltage switchgear and controlgear - Control circuit devices and switching elements - Electromechanical control circuit devices
	EN 60529	Degrees of protection provided by enclosures

The user is responsible for choosing the proper limit switch protection type, group and maximum case temperature. The user is also responsible for the correct installation, connection to the electrical network and use and maintenance of the electrical devices.



The data and the products illustrated in this brochure may be modified without notice. Under no circumstances can their description have a contractual value.



TER Tecno Elettrica Ravasi srl

Via Garibaldi 29/31 - 23885 Calco (LC) - Italy

Registered Office - via San Vigilio 2 - 23887 Olgiate Molgora (LC) - Italy

Tel. +39 0399911011 - Fax +39 0399910445 - E-mail: info@terworld.com - www.terworld.com